

# Q-Set Vertical Adjustment



- beam height adaption in a range of 20-180 mm
- Equipped silver coated mirrors (R> 96%, 500 nm – 12  $\mu$ m)

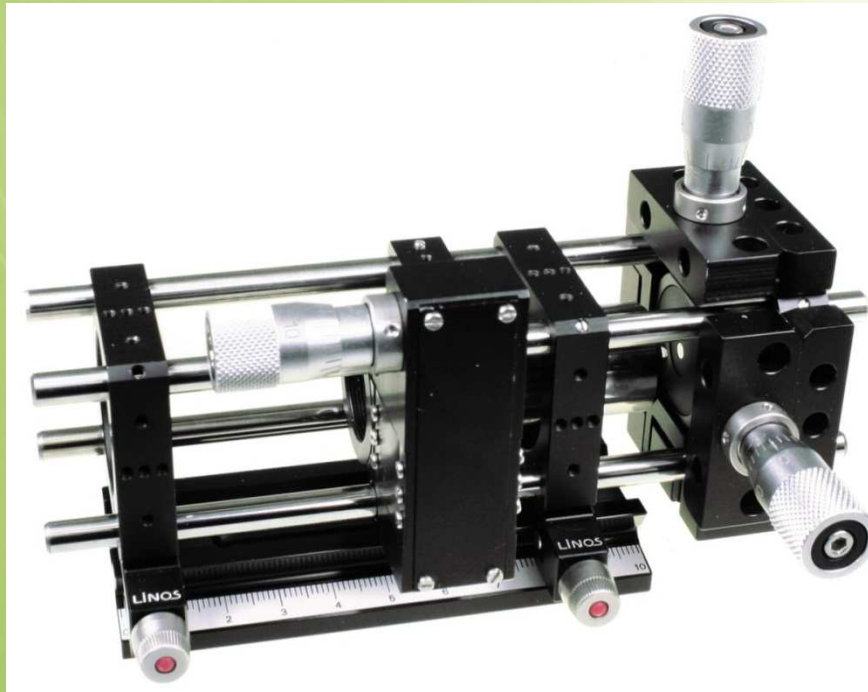
# Q-Set Variable Attenuator / Beamsplitter



- Waveplate (zero order), polarizing beam splitter cube
- Works only for polarized light input
- Four different wavelength ranges:  
488, 532, 633, 780 nm
- Zero order wave plates provide an increased wavelength, temperature and incident angle tolerance

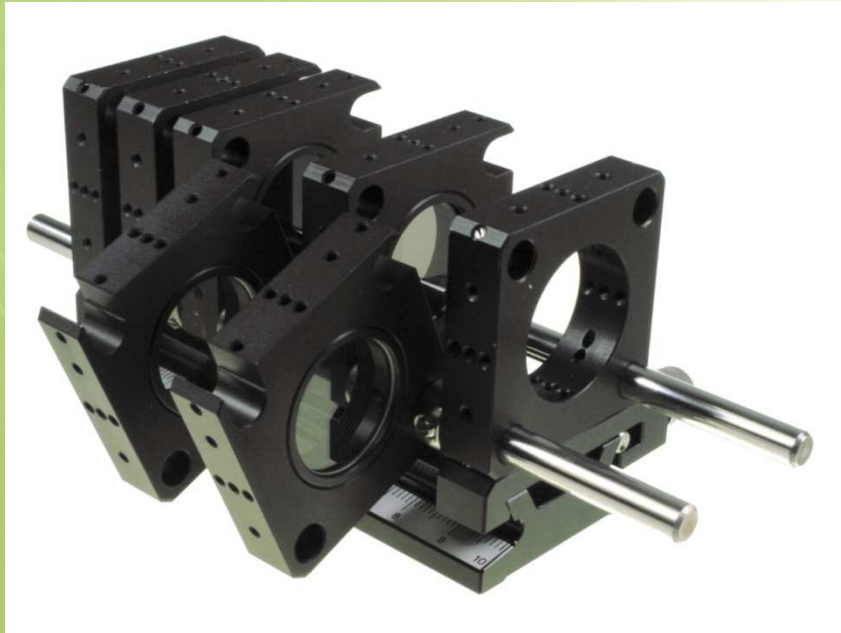


# Q-Set Spatial Filter



- Homogenize intensity distribution
- Key components: Microscope lens, pinhole (30  $\mu\text{m}$ ), z-translation stage, x-y-translation stage

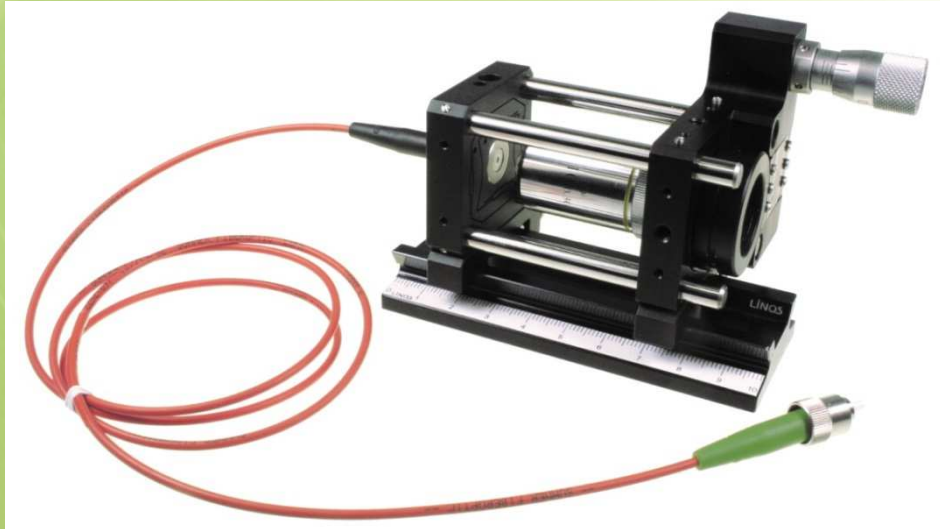
# Q-Set Filter Cascade



- Key components: ND filters OD 0.3; 0.7; 1.3; 2.0 and 3
- Suitable for VIS and NIR
- Attenuation up to seven orders of magnitude



# Q-Set Fiber Coupler



- Key components: Fle.X palte, microscope lens, z-translation stage

## Fle.X plate:

- Monolithic adjustment unit with flexures
- Decoupled adjustment axis
- Position lockable
- Almost no thermal drifting: excellent long-term stability
- The pitch is 0.1 mm per rotation



# Q-Set Spectroscopy Liquids



- Key components: SMA collimators, cuvette holder
- Transmission and fluorescence measurements on liquids
- For standard fused silica cuvettes (edge length 12.5 mm)

# Q-Set Spectroscopy Plates



- Key components: SMA climators, plate holder
- For transmission and reflection measurements on plates